

CUSTOMER APPROVAL

x _____

DATE

x _____

GBP-2948

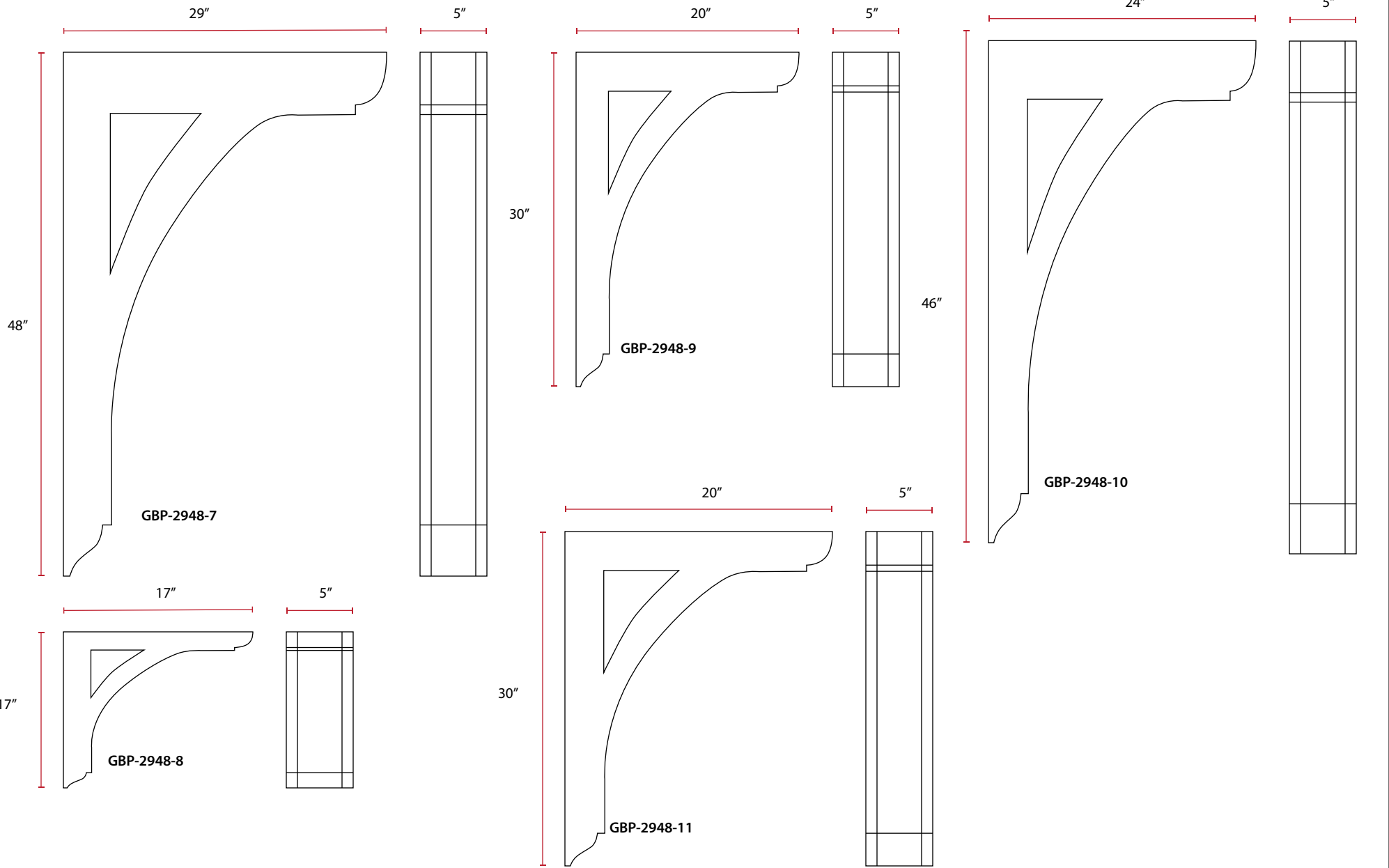
1 of 3

November 22, 2022

Scale: Not to scale

Material: PVC

Texture: Smooth ___ Woodgrain ___



Innovative PVC Systems



CUSTOMER APPROVAL

x _____

DATE

x _____

GBP-2948

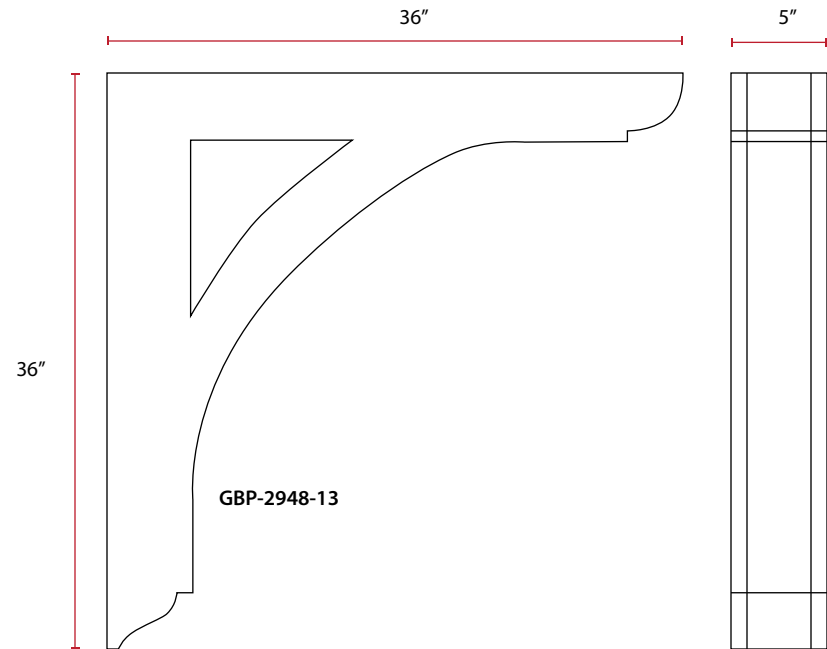
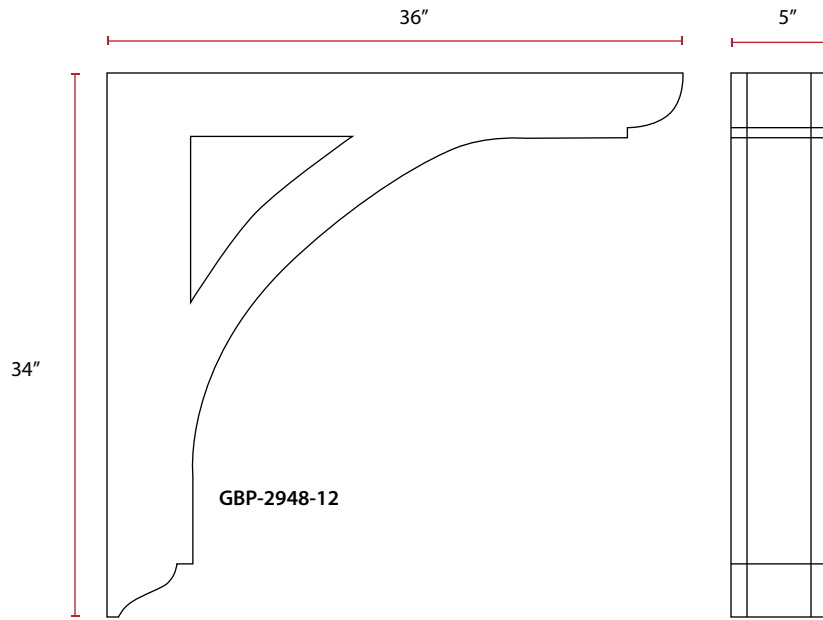
2 of 3

November 22, 2022

Scale: Not to scale

Material: PVC

Texture: Smooth ___ Woodgrain ___



Innovative PVC Systems



CUSTOMER APPROVAL

x _____

DATE

x _____

GBP-2948

3 of 3

November 22, 2022

Scale: Not to scale

Material: PVC

Texture: Smooth ___ Woodgrain ___