



**Rafters**

Length: \_\_\_\_\_

Height:

3.5"

5.5"

7.25"

Other: \_\_\_\_\_"

Width

1.5"

2"

Other: \_\_\_\_\_"

Stiffeners

None  Wood  Aluminum

**Ledger Board**

Height=Rafter Height +2"

Length: \_\_\_\_\_

Rafter Spacing (oc)

12"

16"

Other \_\_\_\_\_"

**Pergola Beam**

Height:

5.5"

7.25"

9.25"

Other: \_\_\_\_\_"

Width

2"

3"

4"

Other: \_\_\_\_\_"

Stiffeners

None  Wood  Aluminum

**Columns**

Quantity: \_\_\_\_\_

Width:  8"  10"  Other: \_\_\_\_\_"

Height:  8'  10'  Other: \_\_\_\_\_"

Style

Plain

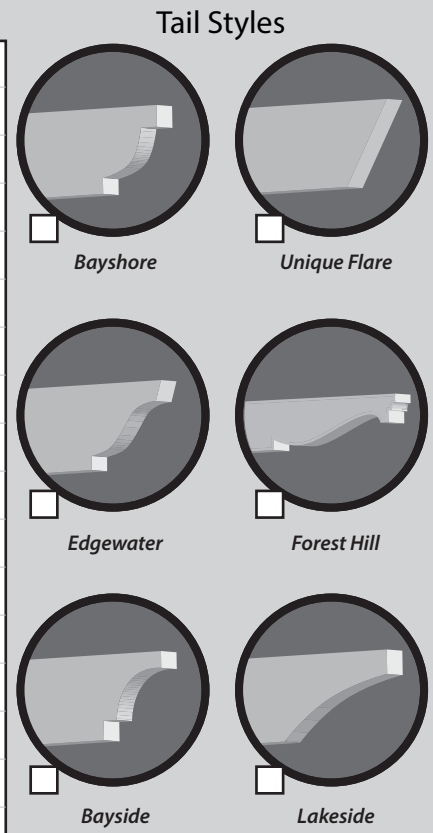
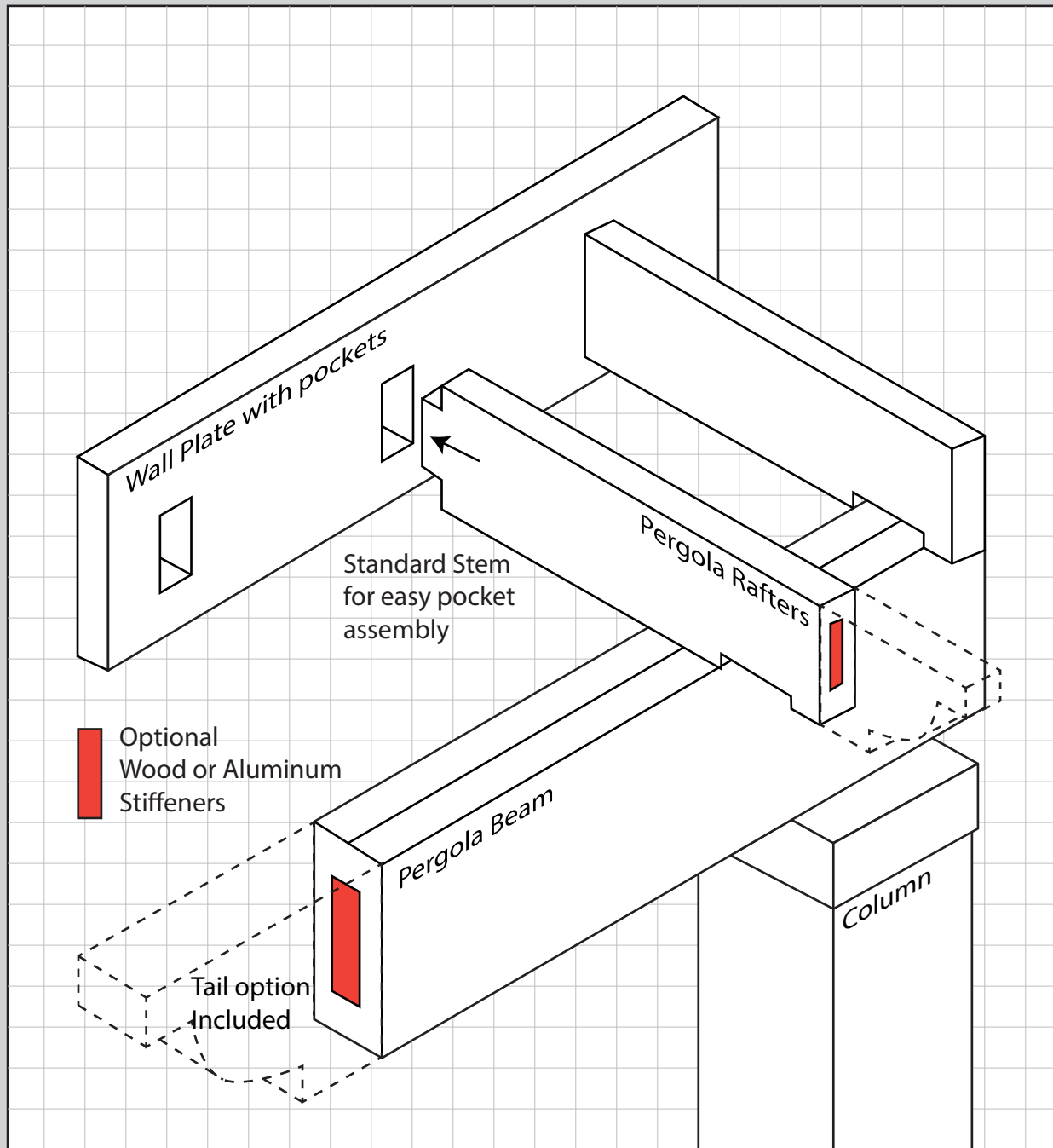
4" craftsman skirts

Recessed Square Edge

4" craftsman skirts

Other

(attach column request sheet)



Notes:

**Pergola Project Planner**

[www.prestigedi.com](http://www.prestigedi.com)

Dealer:	Client:
Address:	Address:
Phone:	
Email:	



**Rafters**

Length: \_\_\_\_\_  
 Height: \_\_\_\_\_  
 3.5"   
 5.5"   
 7.25"   
 Other: \_\_\_\_\_"   
 Width \_\_\_\_\_  
 1.5"   
 2"   
 Other: \_\_\_\_\_"   
 Stiffeners  
 None  Wood  Aluminum

**Ledger Board**

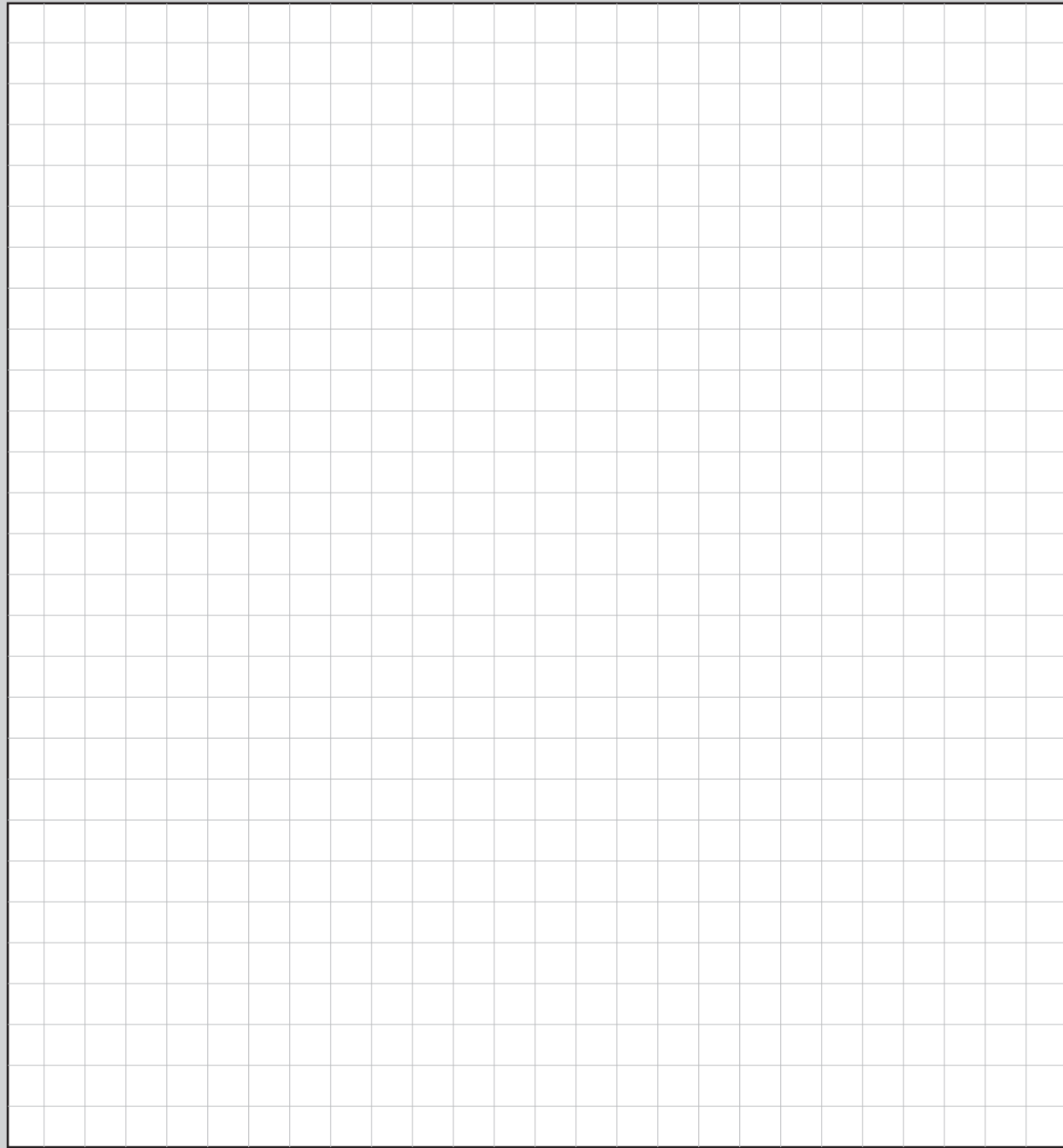
Height=Rafter Height +2"  
 Length: \_\_\_\_\_  
 Rafter Spacing (oc) \_\_\_\_\_  
 12"   
 16"   
 Other \_\_\_\_\_"

**Pergola Beam**

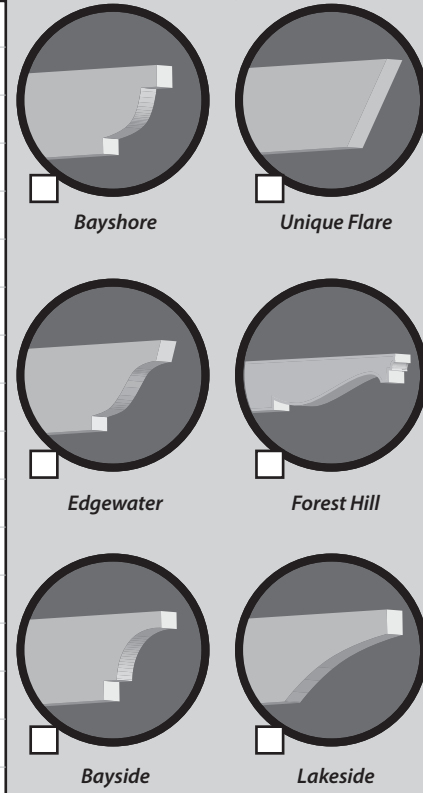
Height: \_\_\_\_\_  
 5.5"   
 7.25"   
 9.25"   
 Other: \_\_\_\_\_"   
 Width \_\_\_\_\_  
 2"   
 3"   
 4"   
 Other: \_\_\_\_\_"   
 Stiffeners  
 None  Wood  Aluminum

**Columns**

Quantity: \_\_\_\_\_  
 Width: \_\_\_\_\_ Height: \_\_\_\_\_  
 8"  8'   
 10"  10'   
 Other: \_\_\_\_\_"  Other: \_\_\_\_\_"   
 Style  
 Plain   
 4" craftsman skirts   
 Recessed Square   
 Edge   
 4" craftsman skirts   
 Other   
 (attach column request sheet)



**Tail Styles**



**Notes:**

**Pergola Project Planner**

[www.prestigedi.com](http://www.prestigedi.com)

<b>Dealer:</b>	<b>Client:</b>
<b>Address:</b>	<b>Address:</b>
<b>Phone:</b>	
<b>Email:</b>	