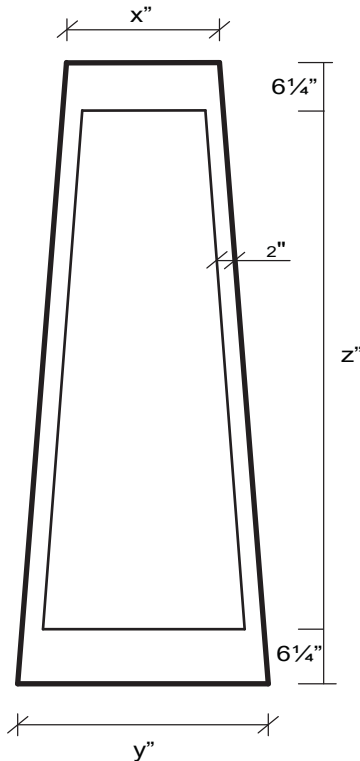


Prestige Column Sizes & Reveals - Tapered Columns

Product Code	Prestige PVC Tapered Columns	Base Width (inches)	Top Width (inches)	Interior Base Width (inches)	Interior Top Width (inches)	Column Height (ft)	Column Weight (lbs)
* CPTPL-0906-048	Prestige Column - PVC, Square Tapered, Plain Panel, 9" x 6" x 4'	9"	6"	8"	5"	48	40
* CPTPL-0906-060	Prestige Column - PVC, Square Tapered, Plain Panel, 9" x 6" x 5'	9"	6"	8"	5"	60	49
* CPTPL-0906-072	Prestige Column - PVC, Square Tapered, Plain Panel, 9" x 6" x 6'	9"	6"	8"	5"	72	49
CPTPL-1208-048	Prestige Column - PVC, Square Tapered, Plain Panel, 12" x 8" x 4'	12"	8"	11"	7"	48	40
CPTPL-1208-060	Prestige Column - PVC, Square Tapered, Plain Panel, 12" x 8" x 5'	12"	8"	11"	7"	60	49
CPTPL-1208-072	Prestige Column - PVC, Square Tapered, Plain Panel, 12" x 8" x 6'	12"	8"	11"	7"	72	49
CPTPL-1309-048	Prestige Column - PVC, Square Tapered, Plain Panel, 13" x 9" x 4'	13"	9"	12"	8"	48	40
CPTPL-1309-060	Prestige Column - PVC, Square Tapered, Plain Panel, 13" x 9" x 5'	13"	9"	12"	8"	60	49
CPTPL-1309-072	Prestige Column - PVC, Square Tapered, Plain Panel, 13" x 9" x 6'	13"	9"	12"	8"	72	49
CPTPL-1612-048	Prestige Column - PVC, Square Tapered, Plain Panel, 16" x 12" x 4'	16"	12"	15"	11"	48	40
CPTPL-1612-060	Prestige Column - PVC, Square Tapered, Plain Panel, 16" x 12" x 5'	16"	12"	15"	11"	60	49
CPTPL-1612-072	Prestige Column - PVC, Square Tapered, Plain Panel, 16" x 12" x 6'	16"	12"	15"	11"	72	49

NOTE: * Will Not Fit Around 6" x 6" PT Wood Structure.

Packaging- Standard Kit consists of boxed, 4 column panels, cap/base with adhesive strip, squaring corners, 5 oz. adhesive, fasteners, instructions.



NOTE:

- 6" – 10" columns with square edge recessed panels will use either a 3/8" or a 1/2" thick backer panel.
- 12" columns and larger, with square edge recessed panels, will use a 1/2" thick backer panel.
- All columns with recessed panel with base cap trim will use a 5/8" thick column shaft and backer panel.
- All columns with a base of 16" or larger will use a 5/8" thick column shaft.

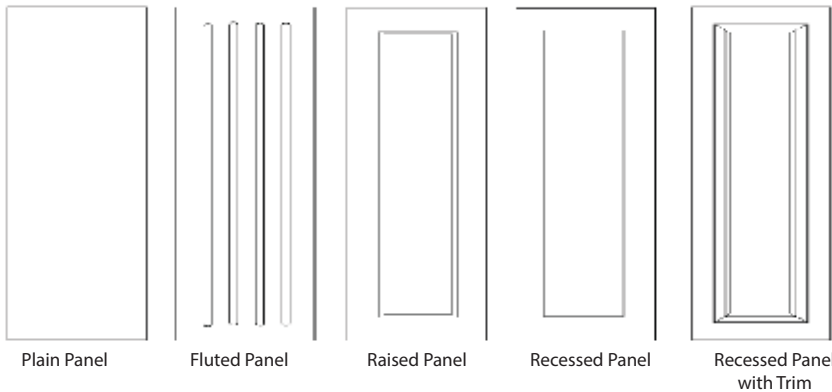
Prestige Column Sizes & Reveals - Straight Columns

Product Code	Prestige PVC Square Columns	Outside Dims. (inches)	Inside Dims. (inches)	Column Weight (lbs)
CPSPL-0808-096	Prestige Column - PVC, Square, Plain Panel, 8" x 8" x 8'	8" (7 1/4")	6 1/4"	40
CPSPL-0808-120	Prestige Column - PVC, Square, Plain Panel, 8" x 8" x 10'	8" (7 1/4")	6 1/4"	49
CPSPL-1010-096	Prestige Column - PVC, Square, Plain Panel, 10" x 10" x 8'	10" (9 3/8")	8 3/8"	49
CPSFL-0808-096	Prestige Column - PVC, Square, Fluted Panel, 8" x 8" x 8'	8" (7 1/4")	6 1/4"	40
CPSFL-0808-120	Prestige Column - PVC, Square, Fluted Panel, 8" x 8" x 10'	8" (7 1/4")	6 1/4"	49
CPSFL-1010-096	Prestige Column - PVC, Square, Fluted Panel, 10" x 10" x 8'	10" (9 3/8")	8 3/8"	49
CPSRA-0808-096	Prestige Column - PVC, Square, Raised Panel, 8" x 8" x 8'	8" (7 1/4")	6 1/4"	40
CPSRA-0808-120	Prestige Column - PVC, Square, Raised Panel, 8" x 8" x 10'	8" (7 1/4")	6 1/4"	49
CPSRA-1010-096	Prestige Column - PVC, Square, Raised Panel, 10" x 10" x 8'	10" (9 3/8")	8 3/8"	49
* CPSRS-0808-096	Prestige Column - PVC, Square, Recessed Panel - Square Edge, 8" x 8" x 8'	8" (7 1/4")	5-1/4"	40
* CPSRS-0808-120	Prestige Column - PVC, Square, Recessed Panel - Square Edge, 8" x 8" x 10'	8" (7 1/4")	5-1/4"	49
CPSRS-1010-096	Prestige Column - PVC, Square, Recessed Panel - Square Edge, 10" x 10" x 8'	10" (9 3/8")	7-3/8"	49
* CPSRB-0808-096	Prestige Column - PVC, Square, Recessed Panel Flush Trim - Base Cap Edge, 8" x 8" x 8'	8" (7 1/4")	5-1/4"	41
* CPSRB-0808-120	Prestige Column - PVC, Square, Recessed Panel Flush Trim - Base Cap Edge, 8" x 8" x 10'	8" (7 1/4")	5-1/4"	52
CPSRB-1010-096	Prestige Column - PVC, Square, Recessed Panel Flush Trim - Base Cap Edge, 10" x 10" x 8'	10" (9 3/8")	7-3/8"	52
* CPSRB-0808-096	Prestige Column - PVC, Square, Recessed Panel Raised Trim - Base Cap Edge, 8" x 8" x 8'	8" (7 1/4")	5-1/4"	41
* CPSRB-0808-120	Prestige Column - PVC, Square, Recessed Panel Raised Trim - Base Cap Edge, 8" x 8" x 10'	8" (7 1/4")	5-1/4"	52
CPSRB-1010-096	Prestige Column - PVC, Square, Recessed Panel Raised Trim - Base Cap Edge, 10" x 10" x 8'	10" (9 3/8")	7-3/8"	52

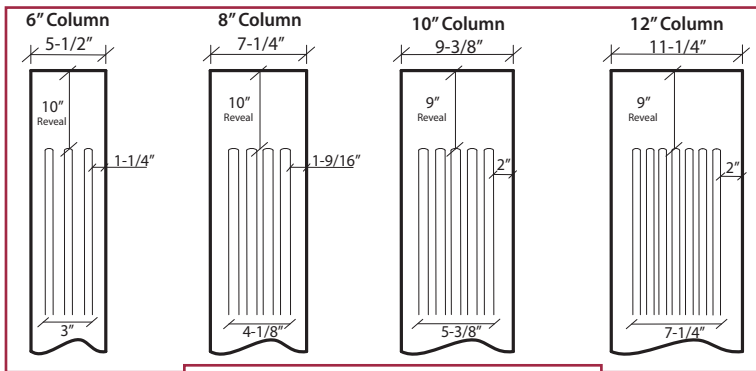
NOTE: * Will Not Fit Around 6" x 6" PT Wood Structure.

Packaging- Standard Kit consists of boxed, 4 column panels, cap/base with adhesive strip, squaring corners, 5 oz. adhesive, fasteners, instructions.

Prestige Panel Styles

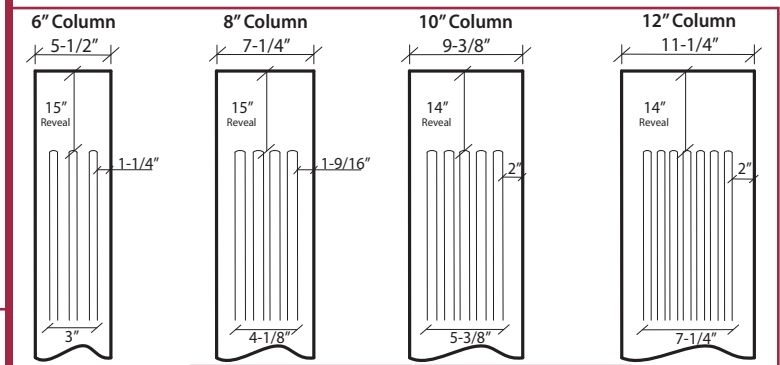


Column Width (")	Outside Dims (")	Inside Dims (")		
		Plain, Fluted, Raised	Recessed Sq. Edge *	Recessed Base Cap *
1/2" Wall	6	5-1/2"	4-1/2"	3-1/2"
	8	7-1/4"	6-1/4"	5-1/4"
	10	9-3/8"	8-3/8"	7-3/8"
	12	11-1/4"	10-1/4"	9-1/4"
5/8" Wall	14	13-1/4"	12"	11"
	16	15-1/4"	14"	13"
	18	17-1/4"	16"	15"
	20	19-1/4"	18"	17"
	22	21-1/4"	20"	19"
	24	23-1/4"	22"	21"



Reveals for Columns Under 10'

Columns can be cut down by 3" on each end when paired with a 4" Skirt



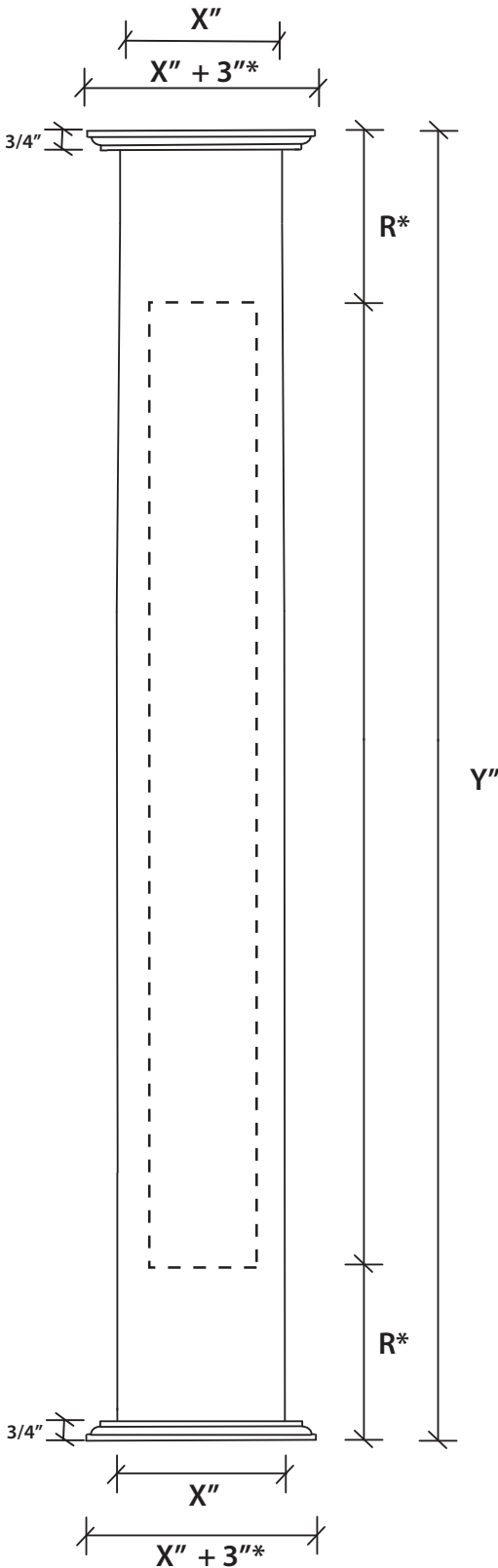
Reveals for Columns 10' & Higher

Columns can be cut down by 6" on each end when paired with a 4" Skirt

*** NOTE:**

- For any column skirts above 6" in height, the column reveals will go to 14".
- 6" - 10" columns with square edge recessed panels will use either a 3/8" or a 1/2" thick backer panel.
- 12" columns and larger, with square edge recessed panels, will use a 1/2" thick backer panel.
- All columns with recessed panel with base cap trim will use a 5/8" thick column shaft and backer panel.

CUSTOM ORDER FORM: STRAIGHT



CLIENT INFORMATION

Dealer Name: _____

Project: _____

PO#: _____

Project Contact: _____

Date: _____

Approved By: _____

PANEL SIZES

1. Height (Y'') _____

2. Width (X'') _____

• Nominal

• Actual

3. Inside Dims _____

Natural (White)

Paint

Stain

Colour: _____

REVEALS

R^* Top and Bottom Panel
 - Under 10' - 10" Reveal 6" & 8" wide, 9" Reveal 10" & 12" Wide
 - Over 10' - 15" Reveal 6" & 8" wide, 14" Reveal 10" & 12" Wide

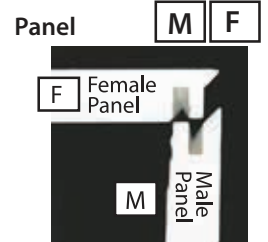
See page 10 for full details

PANEL PROFILE

1. Plain	<input type="checkbox"/>
2. Fluted	<input type="checkbox"/>
3. Raised	<input type="checkbox"/>
4. Recessed	<input type="checkbox"/>
• Square Edge	<input type="checkbox"/>
• Round Edge	<input type="checkbox"/>
• w/ Base Cap Trim	<input type="checkbox"/>
- Flush Trim	<input type="checkbox"/>
- Raised Trim	<input type="checkbox"/>

QUANTITY: _____

NOTES: _____



CAPS & BASES



Craftsman 4" 6"
8" 10"



Crown Mould 4" 5"
6"



Base Cap Edge 4" 6"
8" 10"



Tuscan 4" 6"
8" 10"



Solid Crown



Chamfered 4" 6"
8" 10"

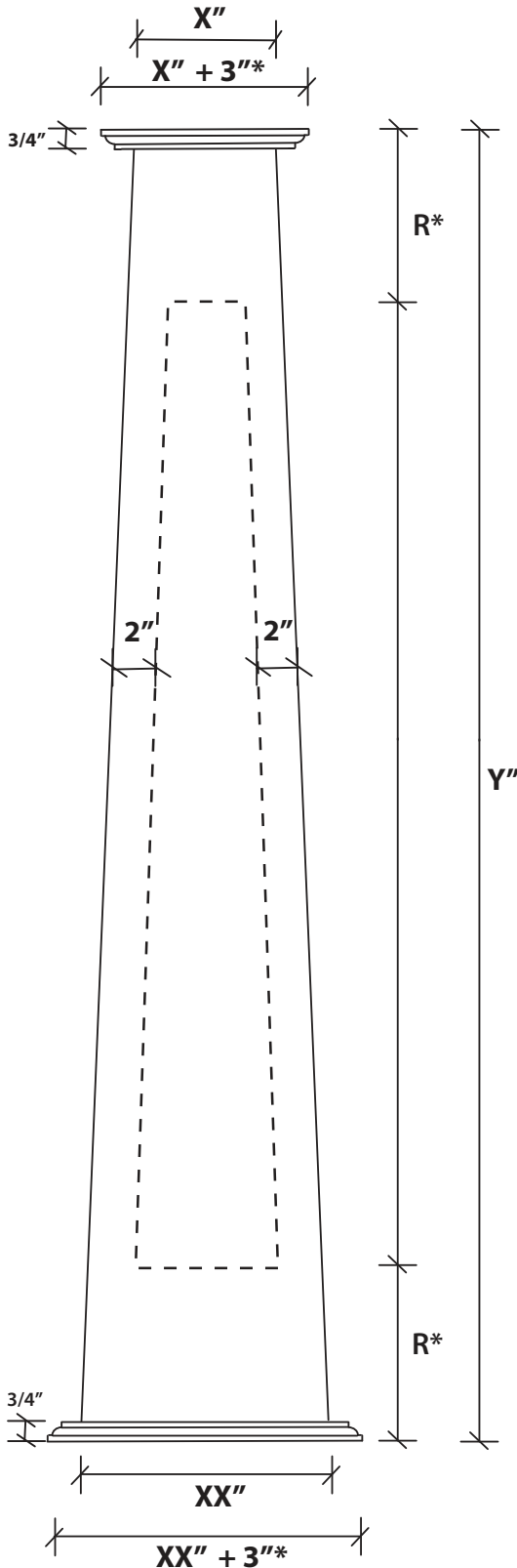


Contemporary 4" 6"
8" 10"

*Tuscan, Chamfer Contemporary & Solid Crown Add 4"

**Note: For more column dimension information see Prestige Column Reference Guide (On Reverse).
 Customers are responsible for confirming inside dimensions prior to ordering. Please consult your Prestige Products representative when ordering.
 All approved custom column orders are non-refundable.

CUSTOM ORDER FORM: TAPERED



CLIENT INFORMATION

Dealer Name: _____

Project: _____

PO#: _____

Project Contact: _____

Date: _____

Approved By: _____

PANEL SIZES

1. Height (Y")	<input type="text"/>
2. Top Width (X")	<input type="text"/>
3. Bottom Width (XX")	<input type="text"/>

Note: Tapered column panels are always actual dimensions.

Natural (White)

Paint

Stain

Colour:

REVEALS

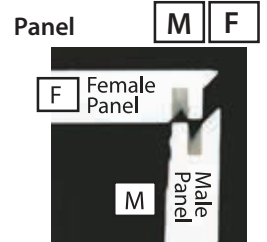
R* All bottom and top panel reveals will be adjusted to 2" above and below chosen skirts.

PANEL PROFILE

1. Plain	<input type="checkbox"/>
2. Fluted	<input type="checkbox"/>
3. Raised	<input type="checkbox"/>
4. Recessed	<input type="checkbox"/>
→ Square Edge	<input type="checkbox"/>
→ Round Edge	<input type="checkbox"/>
→ w/ Base Cap Trim	<input type="checkbox"/>
→ Flush Trim	<input type="checkbox"/>
→ Raised Trim	<input type="checkbox"/>

QUANTITY: _____

NOTES: _____



CAPS & BASES



Craftsman

4" 6"
8" 10"



Solid Crown

*Tuscan, Chamfer Contemporary & Solid Crown Add 4"

**Note: For more column dimension information see Prestige Column Reference Guide (On Reverse). Customers are responsible for confirming inside dimensions prior to ordering. Please consult your Prestige Products representative when ordering. All approved custom column orders are non-refundable.

GABLE Order Form

CLIENT INFORMATION

Dealer Name: _____

Project: _____

PO#: _____

Project Contact: _____

Date: _____

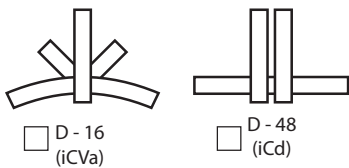
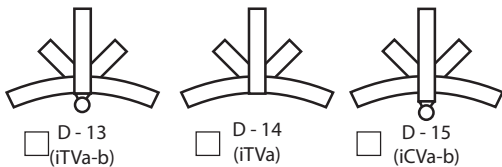
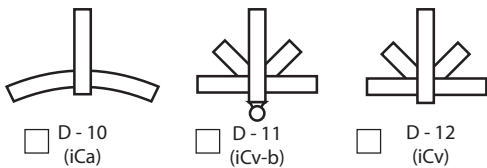
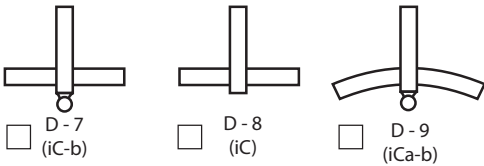
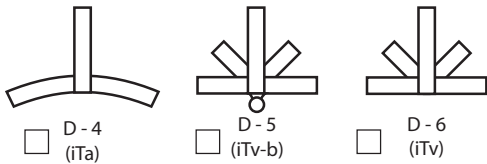
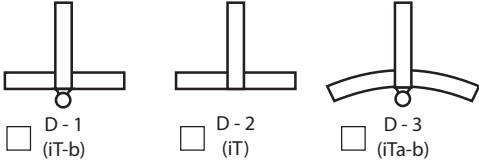
Approved By: _____

Prestige Gable products are constructed of PVC material as an upgrade solution to the decay of lesser traditional materials. Prestige Products produces an array of various products to meet the needs, price points and product aesthetics.

The G1 and G3 Gable details have 1" thick side profile of stretchers. The premium upgrades of G4 & G6 have wider gable details. The highest level of lasting quality and straightest gable system is best achieved with an upgrade to a plywood or best solution, aluminum interior stiffening of stretchers option found with G4 & G6 products. Unsupported (stiffened) product may illustrate amounts of warping.

Woodgrain texture is available in the following configurations: G1: Front Face only G3: Post all sides, Stretchers & V's front face only G4: All Sides (Post, Stretcher & V) G6: All Sides (Post, Stretcher & V)

Choose style



Gable Specifications:

Width:

6' 8' 12'

Custom: _____

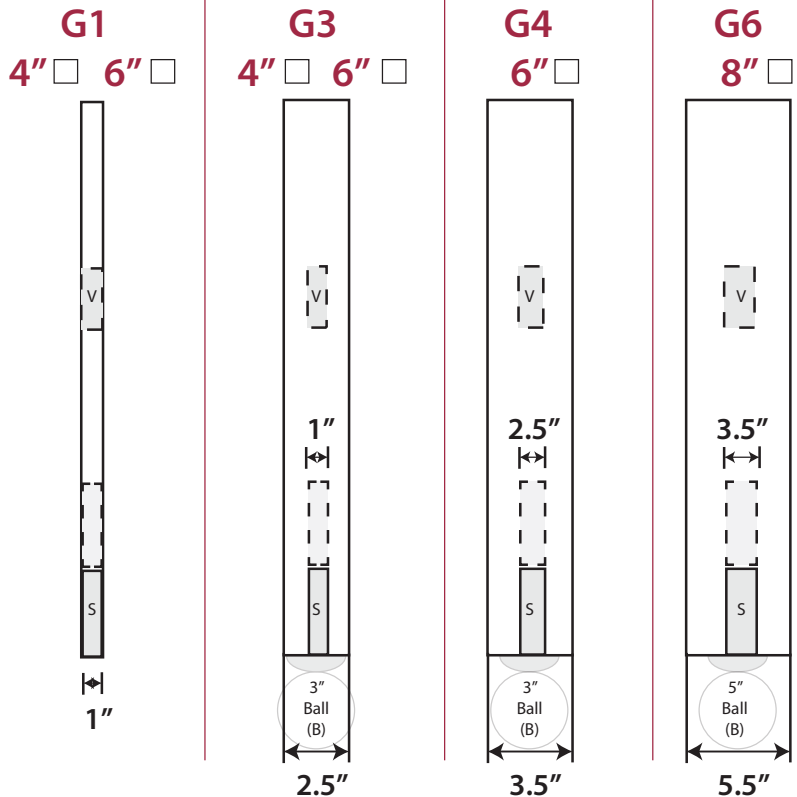
Roof Pitch:

_____/12

Installation Track

(G1 & G3 only)

Gable Size



Gable Sizing Chart

Size	Post Depth	Stretcher Height	Strecher Depth
G1 4"	1"	3.5"	1"
G1 6"	1"	5.5"	1"
G3 4"	2.5"	3.5"	1"
G3 6"	2.5"	5.5"	1"
G4	3.5"	5.5"	2.5"
G6	5.5"	7.25"	3.5"



Innovative PVC Systems

LIMITED WARRANTY - PRESTIGE DIY PRODUCTS™

1357042 Ontario Limited (hereinafter "Décor Innovations") warrants to the original consumer purchaser (the "Original Consumer Purchaser") and only to the extent set forth below, its successor and assign (together with the Original Consumer Purchaser, the "Consumer Purchaser"), subject to the terms and conditions herein, that each PRESTIGE DIY PRODUCTS™ Product, as shipped, will be free from manufacturing defects that cause the Product to delaminate, decay, rot, corrode or swell excessively from moisture for a period of thirty (30) years from the date of the original purchase from an authorized PRESTIGE DIY PRODUCTS™ dealer (the "Original Purchase Date"). Each Consumer Purchaser of PRESTIGE DIY PRODUCTS™ shall have sole responsibility for making determinations as to the suitability, effectiveness, and safety of any particular use or application of the PRESTIGE DIY PRODUCTS™. As building code regulations may vary from area to area, each Consumer Purchaser should consult local building and safety codes for specific requirements.

Value added paint options come with a 5 year limited warranty.

ADDITIONAL CONDITIONS AND EXCEPTIONS

In all events, Décor Innovation's sole and exclusive liabilities under this warranty are limited solely and exclusively to replacement of defective PRESTIGE DIY PRODUCTS™, or the issuance of a refund equal to the original cost of the PRESTIGE DIY PRODUCTS™. Under no circumstances shall Décor Innovations be liable for labour, installation, reinstallation, freight, taxes or any other charge related to defective PRESTIGE DIY PRODUCTS™. Décor Innovations shall not be liable under any circumstances for any indirect, incidental, punitive, consequential, exemplary or other damages of any kind whatsoever, whether any such claim is based upon theories of contract, warranty, negligence, tort strict liability or otherwise. This warranty does not provide protection against any failure of, defect in or damage to PRESTIGE DIY PRODUCTS™ caused by situations beyond normal exposure conditions, including but not limited to the following: intentional or unintentional misuse, abuse, neglect, or improper handling or storage; impact of foreign objects; earthquake, lightning, ice, fire, tornado, windstorm, flood, among others or any other acts of God; improper installation of the PRESTIGE DIY PRODUCTS™ or its structural supports, or installation not in strict adherence to Décor Innovation's written instructions; cracking, distortion, movement, settlement, or warping of the PRESTIGE DIY PRODUCTS™ structural supports or accessories used in connection therewith; insurrection, terrorism, acts of war, riot, vandalism, improper maintenance, use of incompatible accessories; or other products that cause a PRESTIGE DIY PRODUCTS™ defect or failure to occur; pollution, acid rain, contact with harmful chemicals or vapors; or ordinary and expected weathering due to exposure to the elements; which for purposes of this Warranty is defined to be fading, chalking or darkening of the surface of the Product due to exposure to natural sunlight and extreme atmospheric conditions that are unique to and may vary depending on geographic location. Décor Innovations shall have sole discretion to determine, based on reasonable criteria, whether the PRESTIGE DIY PRODUCTS™ is suffering from normal weathering. This Warranty does not cover painted finishes or coating applied to PRESTIGE DIY PRODUCTS™ by the Consumer Purchaser or any third party. Failure to adhere to Décor Innovation's recommended guidelines for application of painted surfaces shall void this Warranty. All claims under this Limited Warranty must be made within 90 days from the time that the defect is discovered and while the PRESTIGE DIY PRODUCTS™ is in place. Consumer Purchaser shall provide Décor Innovations and its agents and employees with a reasonable opportunity to inspect and test the PRESTIGE DIY PRODUCTS™, its installation, and the environment in which the Consumer Purchaser used it prior to removal so that Décor Innovations may determine what replacement, if any, may be needed. In the event that Décor Innovations determines that a replacement is appropriate, Décor Innovations shall have the option of retaining all material that is replaced. If Décor Innovations replaces any material under this warranty, it may substitute products designed by Décor Innovations to be of compatible quality or price range in the event that the product initially purchased has been discontinued or modified. Anything less than strict compliance with these notice and inspection provisions shall serve to void all warranties with regard to PRESTIGE DIY PRODUCTS™. This Warranty may not be altered or amended except in a written statement signed Décor Innovations and Consumer Purchaser. Décor Innovations has not authorized any dealer or other person to make statements or representations regarding the performance of PRESTIGE DIY PRODUCTS™ except as contained in this Warranty, and Décor Innovations shall not be bound by any such statements other than those contained herein.

THE FOREGOING WARRANTY IS EXCLUSIVE AND IN LIEU OF ANY AND ALL OTHER APPLICABLE WARRANTIES, EXPRESS OR IMPLIED, INCLUDING WITHOUT LIMITATION, ANY IMPLIED WARRANTY OF MERCHANTABILITY OR FITNESS FOR A PARTICULAR USE.

This Warranty is transferable to a successor by the Original Consumer Purchaser with the transfer of other conveyance of the PRESTIGE DIY PRODUCTS™ and shall not be transferable or assignable by any subsequent consumer purchaser. In accordance with the foregoing, this Warranty shall expire upon the first to occur of: (i) the transfer or other conveyance of the PRESTIGE DIY PRODUCTS™ by the Original Consumer Purchaser's successor or assign; or (ii) thirty (30) years from the Original Purchase Date.

Some states and provinces do not permit limitations on the duration of implied warranties or exclusions or limitations of incidental or consequential damages, so certain limitations set forth in this Limited Warranty may not apply to you. This warranty gives you specific legal rights, and you may have other rights which may vary from state to state.

FILING A WARRANTY CLAIM

To file a claim under this Warranty, Consumer Purchaser must send proof of purchase, a photograph of the defective PRESTIGE DIY PRODUCTS™ and a written description of the nature of the defect to the company's corporate address in Oakville, ON. (See address below). Décor Innovations reserves the right to investigate any claim hereunder. Upon verification of the claim, Décor Innovations shall, at its sole discretion, either arrange for the delivery of replacement Product or issue a refund equal to the original cost of the Product only. In either instance, Consumer Purchaser shall allow Décor Innovations at least ninety (90) days for investigation and either replacement or refund.



Columns

Prestige **diy**
PRODUCTS

Innovative PVC Systems