

CUSTOMER APPROVAL

x _____

DATE

x _____

GBP-2701

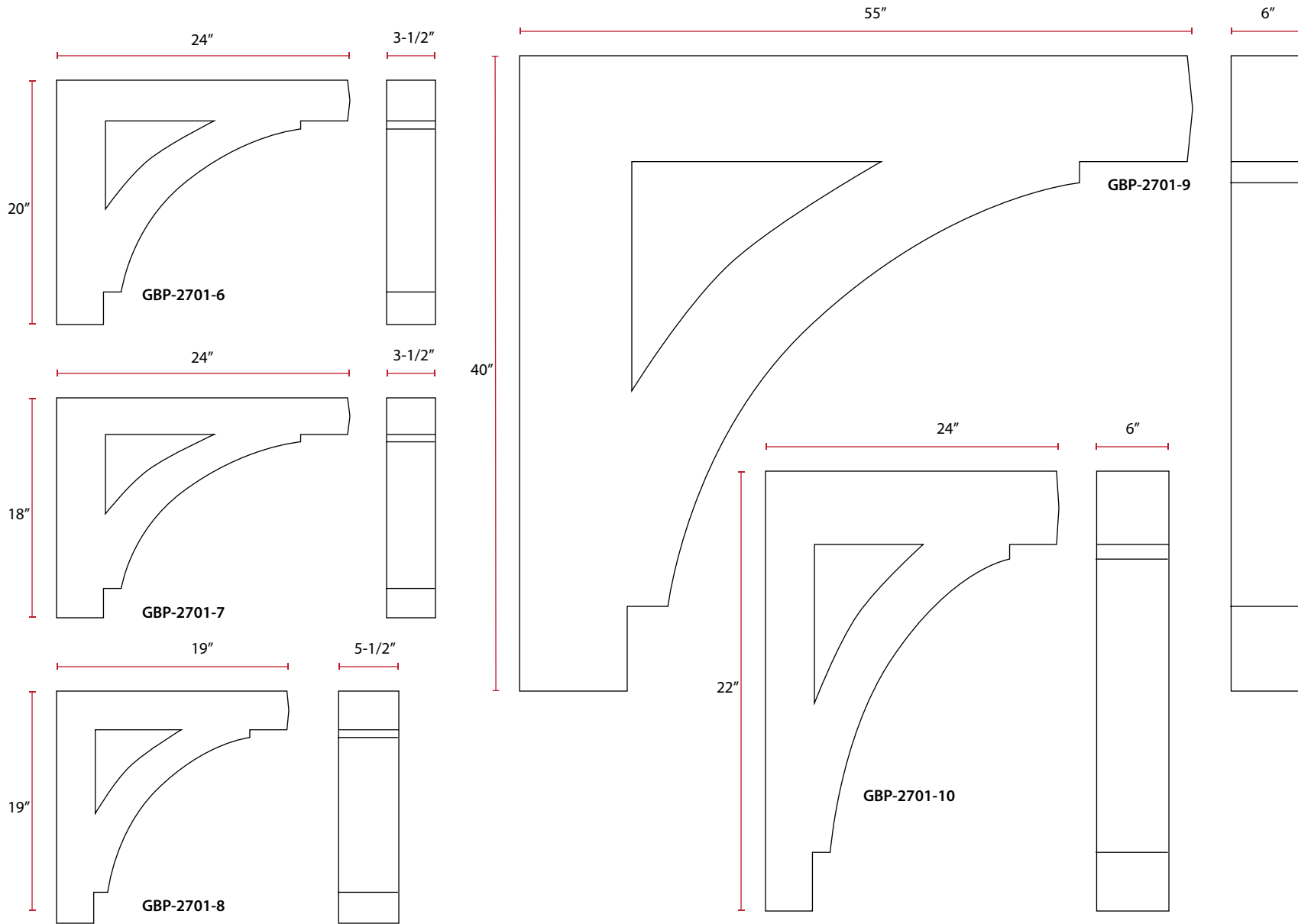
1 of 3

October 31, 2022

Scale: Not to scale

Material: PVC

Texture: Smooth ___ Woodgrain ___



Innovative PVC Systems



CUSTOMER APPROVAL

x _____

DATE

x _____

GBP-2701

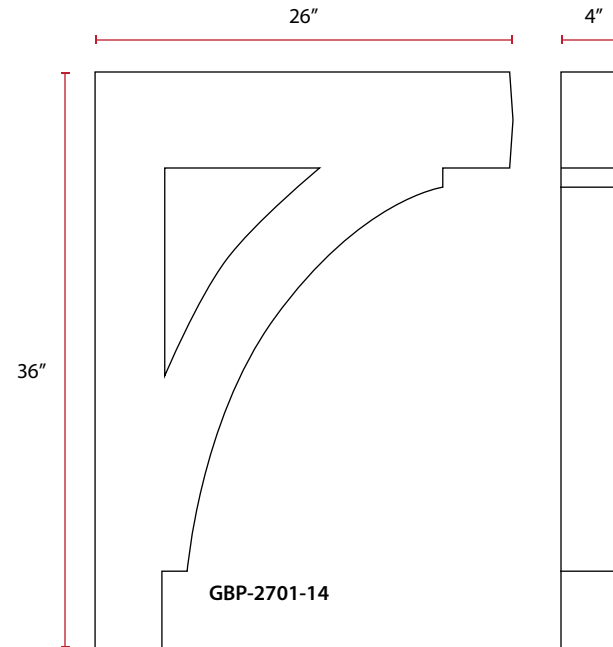
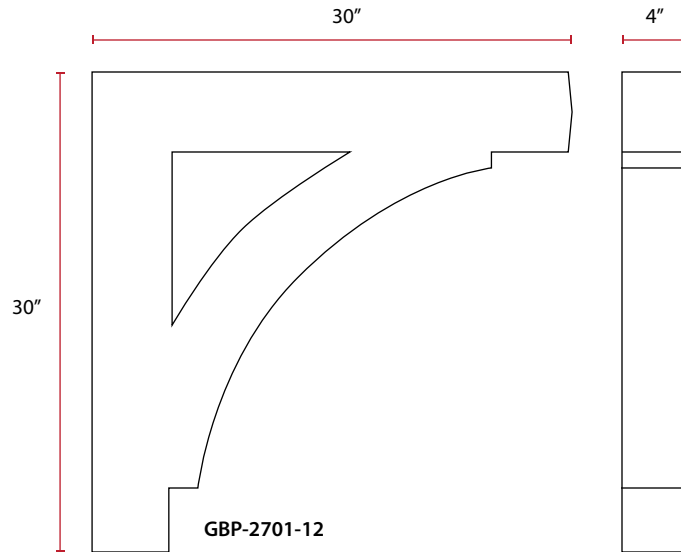
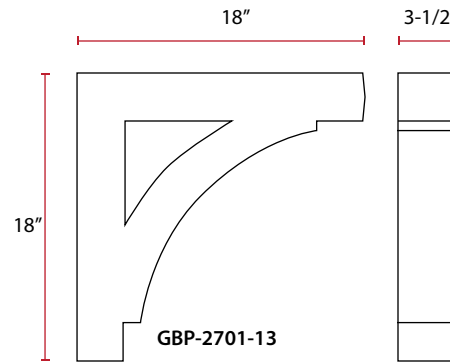
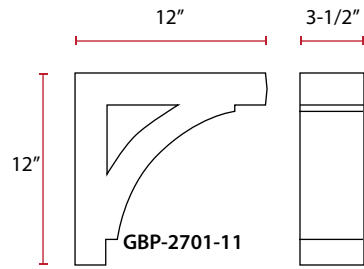
2 of 3

October 31, 2022

Material: PVC

Scale: Not to scale

Texture: Smooth ___ Woodgrain ___



Innovative PVC Systems



CUSTOMER APPROVAL

x _____

DATE

x _____

GBP-2701

3 of 3

October 31, 2022

Material: PVC

Scale: Not to scale

Texture: Smooth ___ Woodgrain ___