

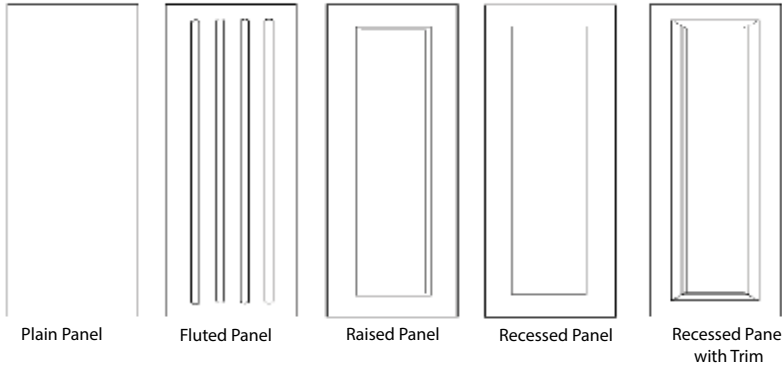
Prestige Column Sizes & Reveals - Straight Columns

Product Code	Prestige PVC Square Columns	Outside Dims. (inches)	Inside Dims. (inches)	Column Weight (lbs)
CPSPL-0808-096	Prestige Column - PVC, Square, Plain Panel, 8" x 8" x 8'	8" (7 1/4")	6 1/4"	40
CPSPL-0808-120	Prestige Column - PVC, Square, Plain Panel, 8" x 8" x 10'	8" (7 1/4")	6 1/4"	49
CPSPL-1010-096	Prestige Column - PVC, Square, Plain Panel, 10" x 10" x 8'	10" (9 3/8")	8 3/8"	49
CPSFL-0808-096	Prestige Column - PVC, Square, Fluted Panel, 8" x 8" x 8'	8" (7 1/4")	6 1/4"	40
CPSFL-0808-120	Prestige Column - PVC, Square, Fluted Panel, 8" x 8" x 10'	8" (7 1/4")	6 1/4"	49
CPSFL-1010-096	Prestige Column - PVC, Square, Fluted Panel, 10" x 10" x 8'	10" (9 3/8")	8 3/8"	49
CPSRA-0808-096	Prestige Column - PVC, Square, Raised Panel, 8" x 8" x 8'	8" (7 1/4")	6 1/4"	40
CPSRA-0808-120	Prestige Column - PVC, Square, Raised Panel, 8" x 8" x 10'	8" (7 1/4")	6 1/4"	49
CPSRA-1010-096	Prestige Column - PVC, Square, Raised Panel, 10" x 10" x 8'	10" (9 3/8")	8 3/8"	49
* CPSRS-0808-096	Prestige Column - PVC, Square, Recessed Panel - Square Edge, 8" x 8" x 8'	8" (7 1/4")	5-1/4"	40
* CPSRS-0808-120	Prestige Column - PVC, Square, Recessed Panel - Square Edge, 8" x 8" x 10'	8" (7 1/4")	5-1/4"	49
CPSRS-1010-096	Prestige Column - PVC, Square, Recessed Panel - Square Edge, 10" x 10" x 8'	10" (9 3/8")	7-3/8"	49
* CPSRB-0808-096	Prestige Column - PVC, Square, Recessed Panel Flush Trim - Base Cap Edge, 8" x 8" x 8'	8" (7 1/4")	5-1/4"	41
* CPSRB-0808-120	Prestige Column - PVC, Square, Recessed Panel Flush Trim - Base Cap Edge, 8" x 8" x 10'	8" (7 1/4")	5-1/4"	52
CPSRB-1010-096	Prestige Column - PVC, Square, Recessed Panel Flush Trim - Base Cap Edge, 10" x 10" x 8'	10" (9 3/8")	7-3/8"	52
* CPSRB-0808-096	Prestige Column - PVC, Square, Recessed Panel Raised Trim - Base Cap Edge, 8" x 8" x 8'	8" (7 1/4")	5-1/4"	41
* CPSRB-0808-120	Prestige Column - PVC, Square, Recessed Panel Raised Trim - Base Cap Edge, 8" x 8" x 10'	8" (7 1/4")	5-1/4"	52
CPSRB-1010-096	Prestige Column - PVC, Square, Recessed Panel Raised Trim - Base Cap Edge, 10" x 10" x 8'	10" (9 3/8")	7-3/8"	52

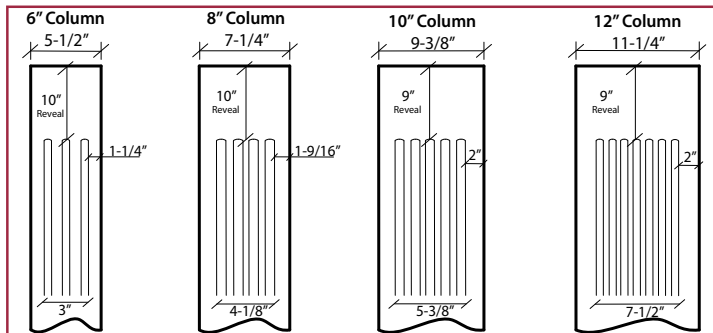
NOTE: * Will Not Fit Around 6" x 6" PT Wood Structure.

Packaging- Standard Kit consists of boxed, 4 column panels, cap/base with adhesive strip, squaring corners, 2 oz. adhesive, fasteners, instructions.

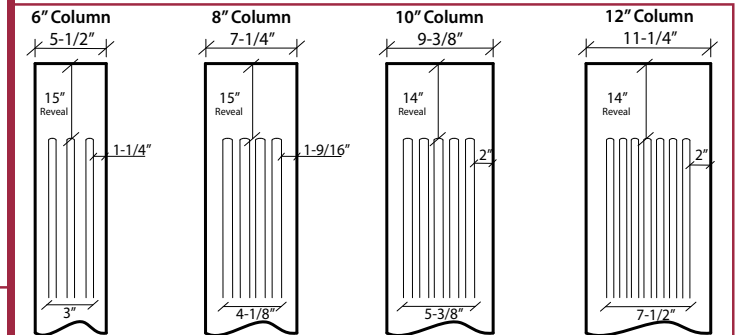
Prestige Panel Styles



	Column Width (")	Outside Dims (")	Inside Dims (")		
			Plain, Fluted, Raised	Recessed Sq. Edge *	Recessed Base Cap *
1/2" Wall	6	5-1/2"	4-1/2"	3-1/2"	N/A
	8	7-1/4"	6-1/4"	5-1/4"	5-1/4"
	10	9-3/8"	8-3/8"	7-3/8"	7-3/8"
5/8" Wall	12	11-1/4"	10"	9"	9"
	14	13-1/4"	12"	11"	11"
	16	15-1/4"	14"	13"	13"
	18	17-1/4"	16"	15"	15"
	20	19-1/4"	18"	17"	17"
	22	21-1/4"	20"	19"	19"
	24	23-1/4"	22"	21"	21"



Reveals for Columns Under 10'



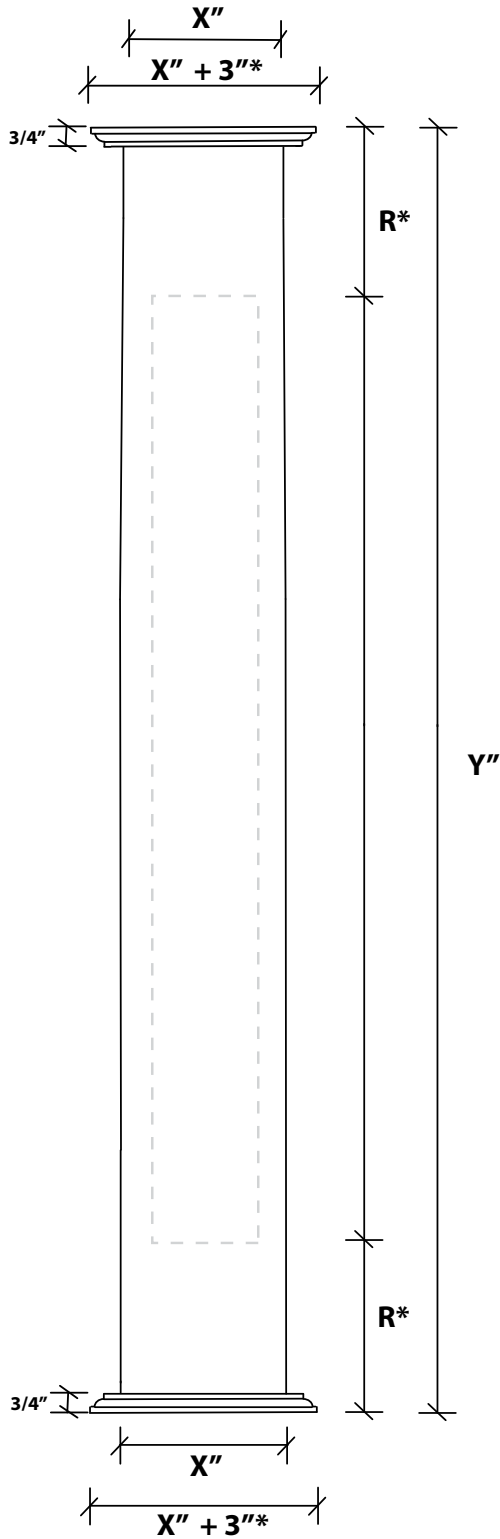
Reveals for Columns 10' & Higher

*** NOTE:**

- For any column skirts above 6" in height, the column reveals will go to 14".
- 6" – 10" columns with square edge recessed panels will use either a 3/8" or a 1/2" thick backer panel.
- 12" columns and larger, with square edge recessed panels, will use a 1/2" thick backer panel.
- All columns with recessed panel with base cap trim will use a 5/8" thick column shaft and backer panel.



CUSTOM STRAIGHT COLUMN LAYOUT



*Tuscan, Chamfer & Solid Crown Add 4"

CLIENT INFORMATION

Dealer Name: _____

Project: _____

PO#: _____

Project Contact: _____

Date: _____

Approved By: _____

PANEL SIZES

1. Height (Y") _____

2. Width (X") _____

• Nominal

• Actual

3. Inside Dims _____

4. Painted No

Yes

Colour: _____

REVEALS

R* Top and Bottom Panel Reveals

- 10" for columns 10' or less
- 15" for columns 11' or greater

PANEL PROFILE

1. Plain	<input type="checkbox"/>
2. Fluted	<input type="checkbox"/>
3. Raised	<input type="checkbox"/>
4. Recessed	<input type="checkbox"/>
• Square Edge	<input type="checkbox"/>
• Round Edge	<input type="checkbox"/>
• w/ Base Cap Trim	<input type="checkbox"/>
• Flush Trim	<input type="checkbox"/>
• Raised Trim	<input type="checkbox"/>

Y"

NOTES: _____

Panel Locks: M F

1. Single Panel

2. Double Panel

3. 1/3 - 2/3 Panel

4. Custom _____

CAPS & BASES

Craftsman

4" _____

6" _____

8" _____

10" _____

Crown Mould

4" _____

5" _____

6" _____

Tuscan

5" _____

6" _____

8" _____

10" _____

**Place a 'T' for Column Top
Place 'B' for Column Bottom**

Chamfered

4" _____

6" _____

8" _____

10" _____

Base Cap Edge

4" _____

6" _____

8" _____

10" _____

Solid Crown

1. _____

2. _____

***Note: For more column dimension information see Prestige Column Reference Guide (On Reverse).
Customers are responsible for confirming inside dimensions prior to ordering. Please consult your Prestige Products representative when ordering.
All approved custom column orders are non-refundable.*